



# HAWKEYE LITE

# IETG



## ATEX Certified Data Logger

HawkEye Lite is an intrinsically safe, highly versatile data logger designed to be a cost-effective, multi-application solution.

Developed after the success of the original CSO data loggers the HawkEye 1, 2 and 2i/s.

Rugged and compact, HE Lite is a long term, battery powered monitoring solution delivering advanced communication options.

### Key Features and Benefits

**Intrinsically safe:** certified for use in Zone 0 hazardous areas: Intertek ITS19ATEX205070X & IECEx ITS 19.0030X Ex ia IIC T4 Ga (-20°C ≤ Ta ≤ +60°C)

**Multi-application:** compatible with a wide range of sensors, including ultrasonic, capacitance, depth transducers and flood alert

**Easy software integration:** designed for easy integration into third party software applications via IETG API

**Accessible data:** near real-time data at low cost

**Flexible alarm modes:** including multiple analog high/low, state high/low and profile alarms

**Online data viewing:** via our in house software - our online data monitoring system

**Long term monitoring:** typical 5+ year battery life

**External antennas:** supports improved signal strength (contact IETG for more information)

**Wireless programming:** units can be programmed and activated locally through IETG's app. Changes to transmitting units can be made remotely

**Responsive:** accelerated dial in on alarm



### Applications

HE Lite is compatible with a variety of different sensors including ultrasonic, depth transducers, capacitance and flood alert. It is the ideal solution for remote monitoring of waste water sites.

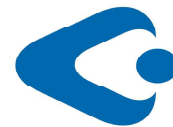
This innovative logger uses the latest integral cellular telemetry technology to provide rapid data transmission at low cost.

The replaceable internal batteries will typically power the device for five years when data is transmitted every eight hours.

HE Lite is also supplied with an external antenna connection that enables the use of a range of specialist antennas to ensure reliable communication on installations with low signal levels.

Quality Data, collected safely and without compromise

[www.ietg.co.uk](http://www.ietg.co.uk)

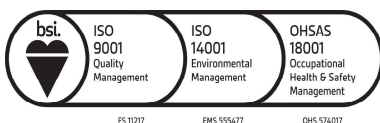
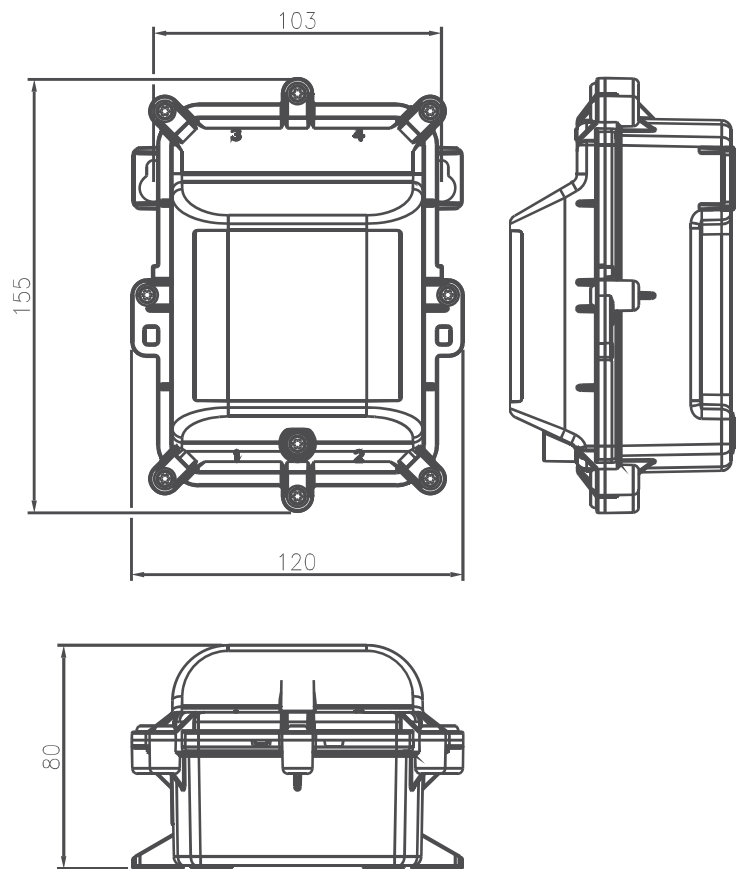


# HAWKEYE LITE

## ATEX Certified Data Logger

### Logger Features

Rating	ATEX/IEC Certified to Zone 0
Memory	Primary recording 1 million readings (larger sizes available on request)
Analogue	Variable sample rates from 1s to 24hrs
Alarms	Multiple Lower/Upper limit, Min Flow, Rate of Change, Channel Difference, In/Out of Band alarm types
Secondary channel	Can be programmed to record either fast data, average minimum, average maximum or time interval between pulses (for data smoothing)
Internal Cellular Modem	Data to IETG hosting or customer specific server. Multiple messages per day. User replaceable SIM card. GPRS Quad band modem supplying 850/900/1800/1900MHz bands
Accelerated Dial-in	Dial-in rate is increased if alarm situation is triggered. Logger can accelerate dial-in at alarm level for multiple applications
External Antenna	Bulgin Buccaneer
Construction	PC/ABS plastic enclosure
Dimensions	H = 200mm, W = 97mm, D = 88mm (7.9" x 3.8" x 3.5")
Weight	1kg (2.2lb)
Operating Temp.	-20 to +60°C (-5 to +140°F)
Ingress Protection	IP68
Power	User-replaceable Lithium Thionyl-Chloride battery pack operational for 5 years under standard operating conditions



IETG Ltd  
 Cross Green Industrial Estate  
 Cross Green Way  
 Leeds, LS9 0SE.

T: +44 (0) 113 2019700  
 F: +44 (0) 113 2019701  
 E: IETG-Info@ietg.co.uk  
 W: www.ietg.co.uk

Quality Data, collected safely and without compromise

[www.ietg.co.uk](http://www.ietg.co.uk)